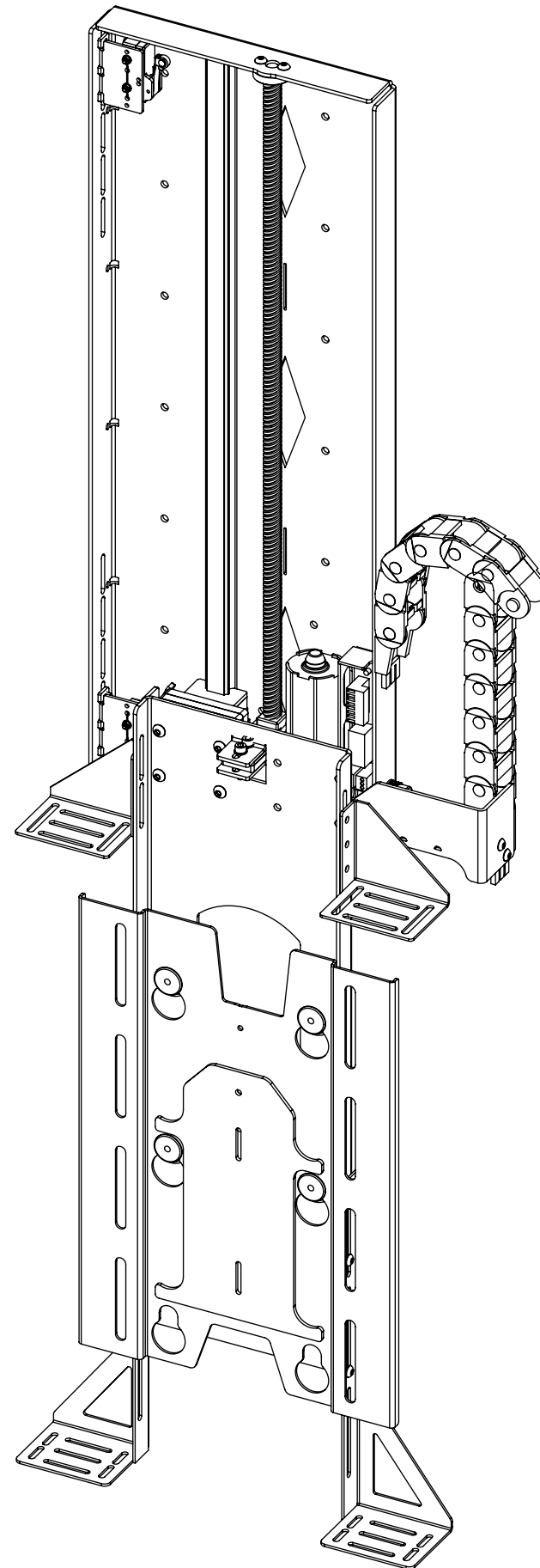


# I-LSL-BE 2

## INVERTED LIFT SYSTEM FOR BOX ENCLOSURE



future automation



# I-LSL-BE 2

## INVERTED LIFT SYSTEM FOR BOX ENCLOSURE



future automation

| SPECIFICATION                    | MEASUREMENTS   |
|----------------------------------|--|
| Screen Sizes (Approx)            | 32" - 40"  |
| Maximum Weight Capacity          | 25Kg (55lb)  |
| Maximum Weight Capacity (Marine) | 16Kg (35lb)  |
| Maximum Screen Height            | 524mm (20.6")  |
| Packaging Dimensions             | 920mm (36.2") x 550mm (21.7") x 250mm (9.8")   |
| Shipping Weight                  | 18Kg (40lb)  |
| Movement Type                    | Motorised  |
| Power Supply Required            | 110V or 240V AC  |
| Power Consumption                | 250-500W   |
| Power Consumption Standby        | 3W   |
| Decibel Rating                   | 58dB   |
|                                  |  |
| Mounting Patterns Supported      | VESA 200 W x 300, 200 H  |
| Control Options                  | IR Remote, RS232, Contact Closure  |
| Product Options / Features       | Specific B&O and Loewe mounts / adapters, Custom RAL paint finishes, Outdoor version |
| Package Contents                 | Mechanism, IR remote control   |
| Marine Suitable                  | Yes (Indoor)   |

# I-LSL-BE 2

## INVERTED LIFT SYSTEM FOR BOX ENCLOSURE

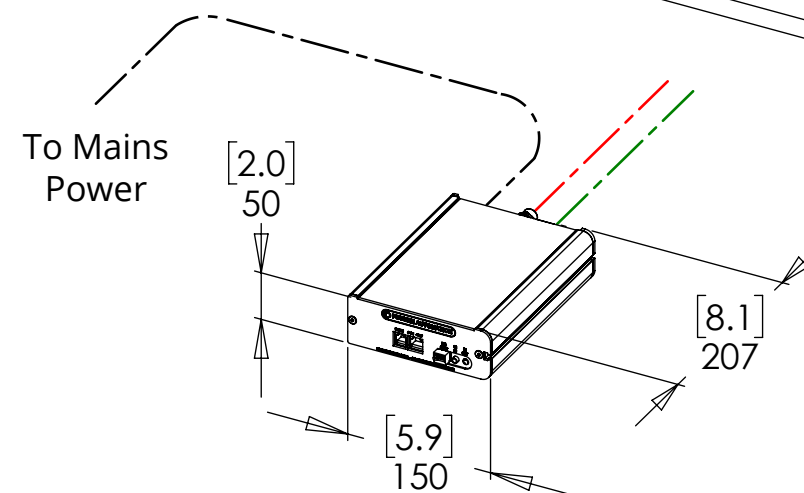
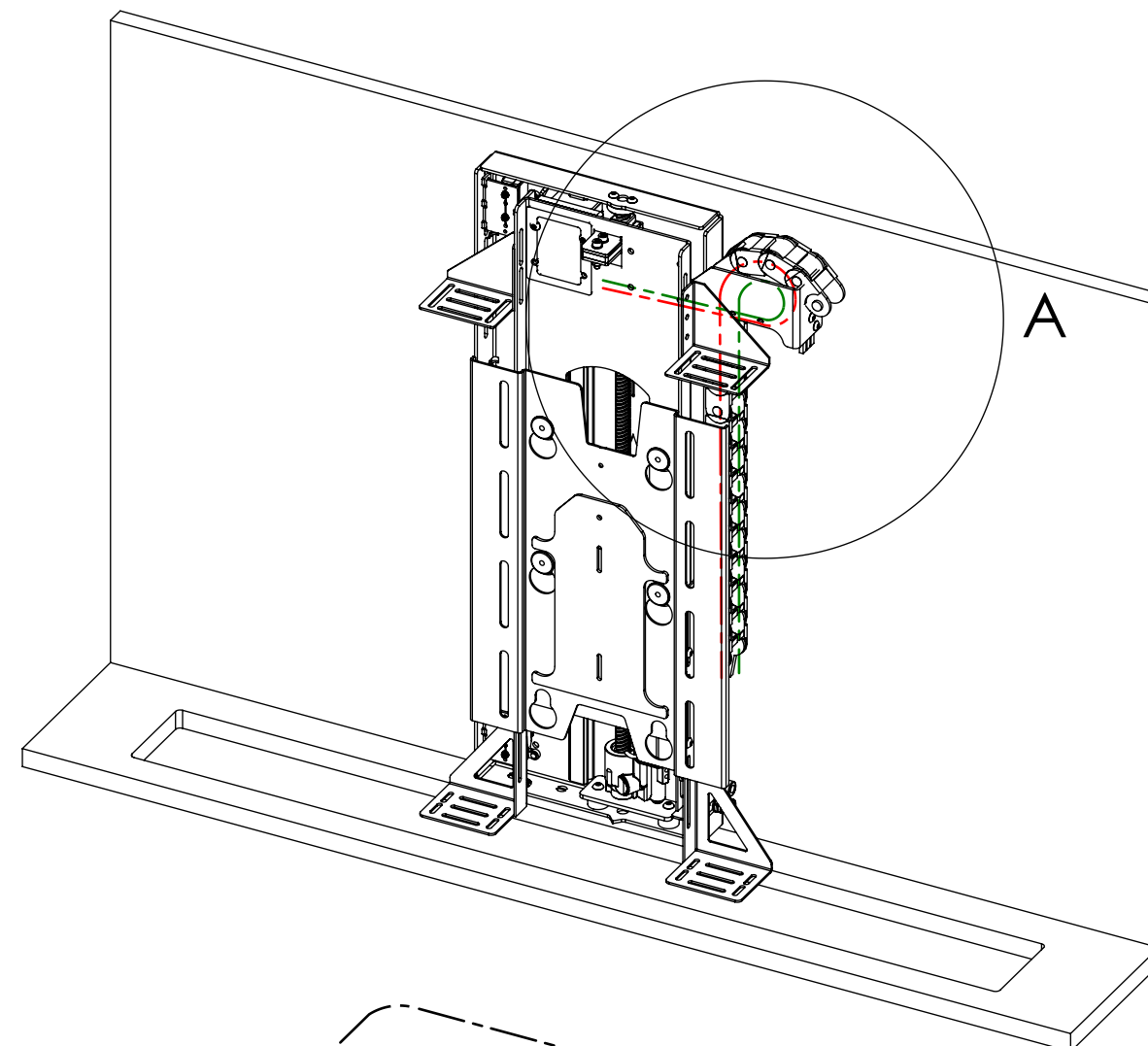
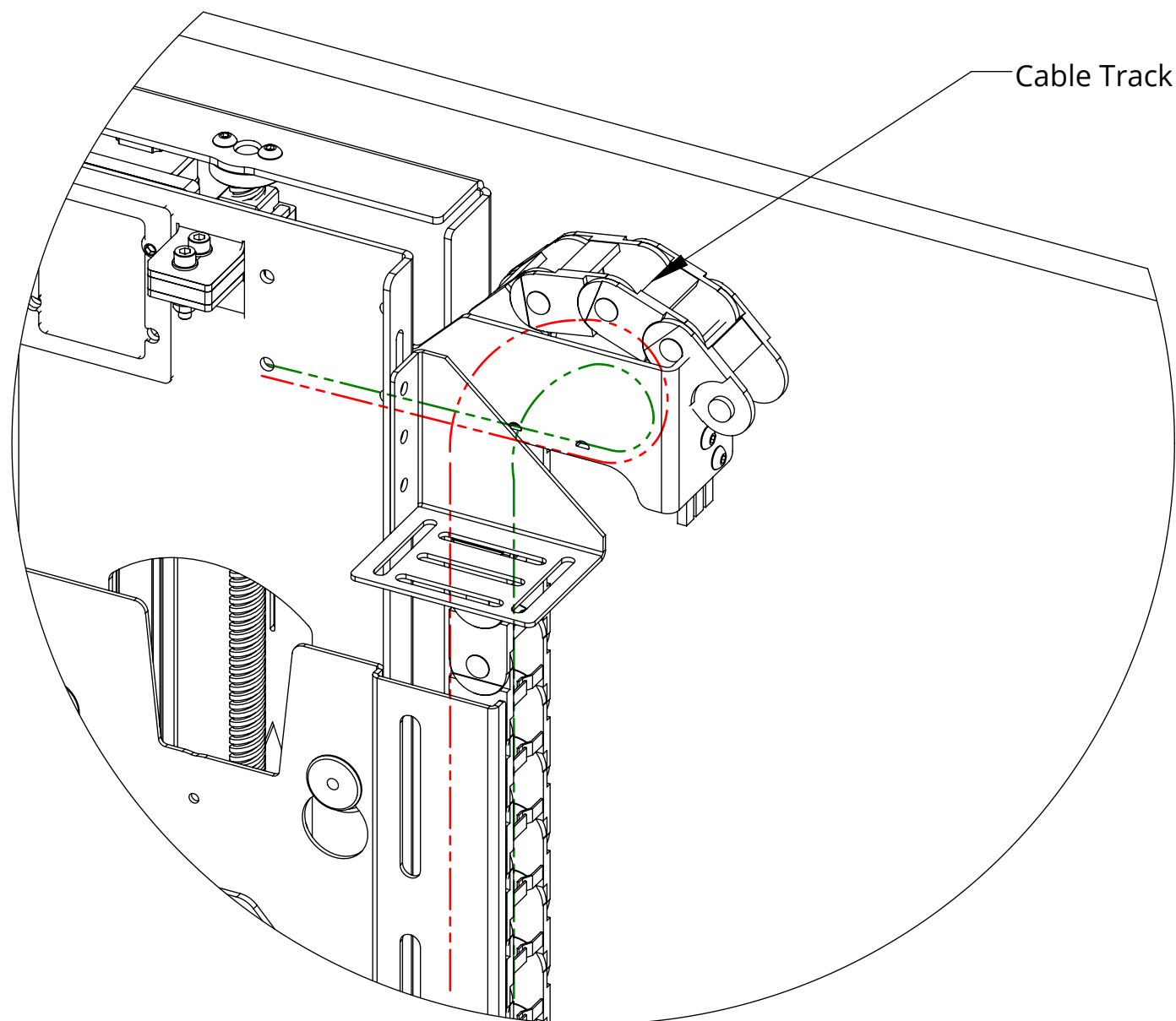


future automation

### CABLE ROUTING

Screen cables are routed behind the Base Panel and out the right side of the Beam into the Cable Track. Cables must be routed carefully to prevent any interference with the LSL beam as it operates.

Screen and Mechanism cables should be routed to a control box in the bottom of the cabinet.

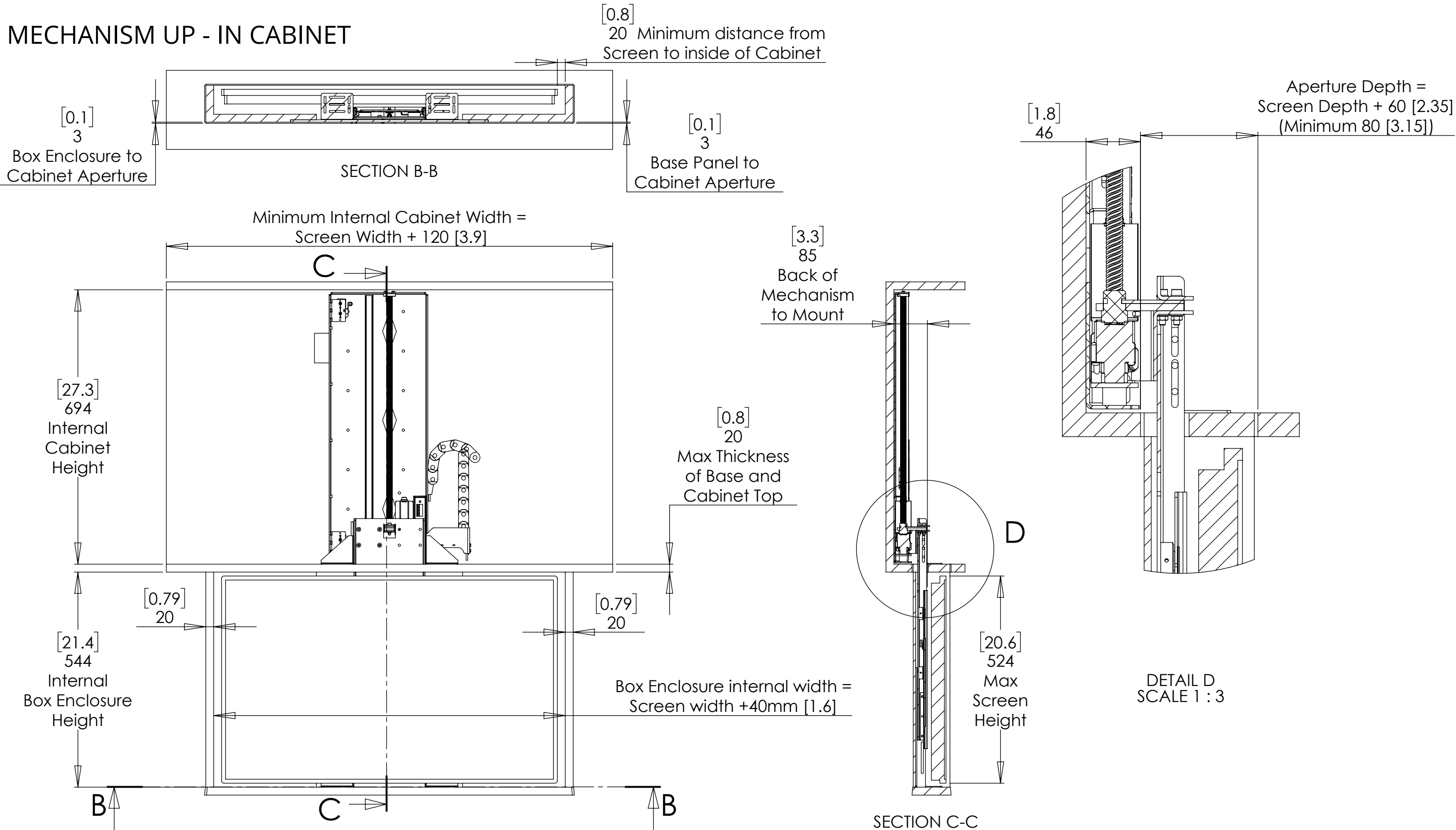


# I-LSL-BE 2

## INVERTED LIFT SYSTEM FOR BOX ENCLOSURE



### MECHANISM UP - IN CABINET



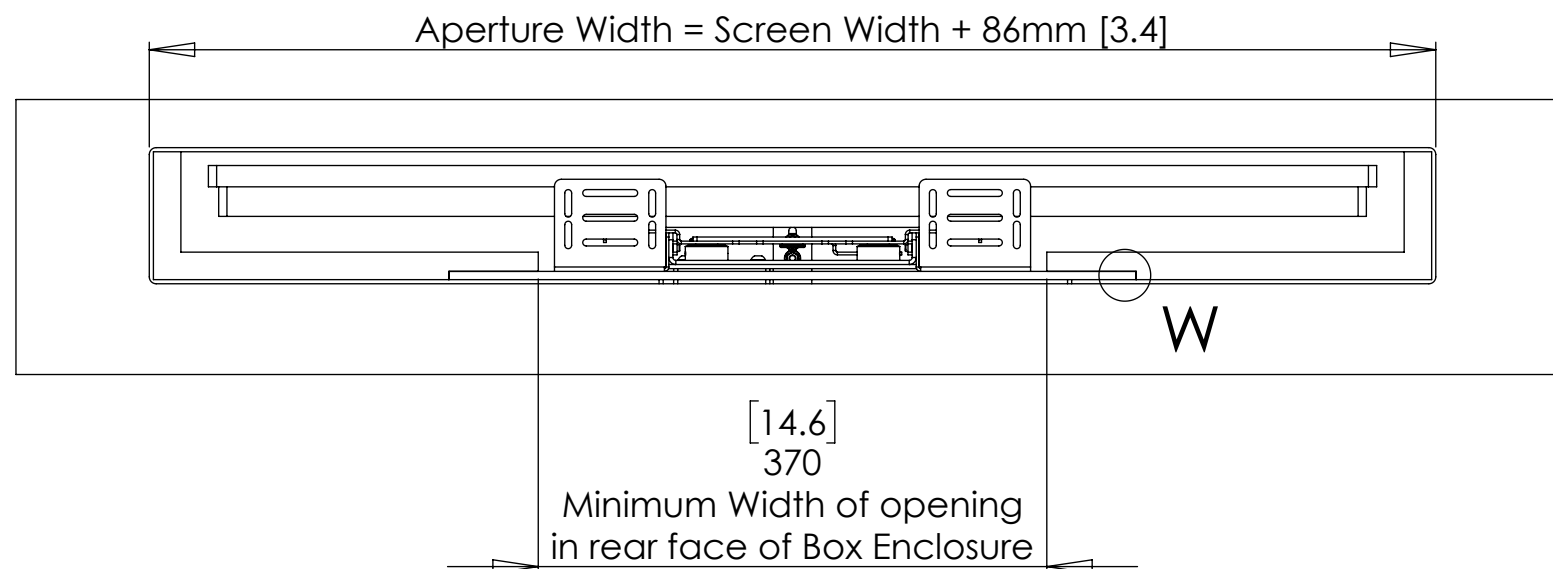
# I-LSL-BE 2

## INVERTED LIFT SYSTEM FOR BOX ENCLOSURE



future automation

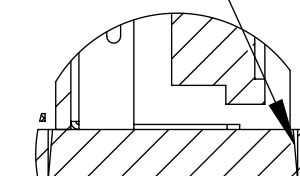
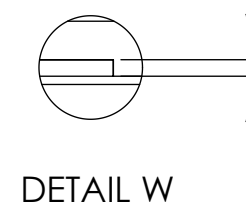
### MECHANISM DOWN - IN CABINET



[0.2]  
5  
Maximum Thickness  
of Box Enclosure  
Back cover

Shown with a tapered Box Enclosure Lid in a square Cabinet Aperture.

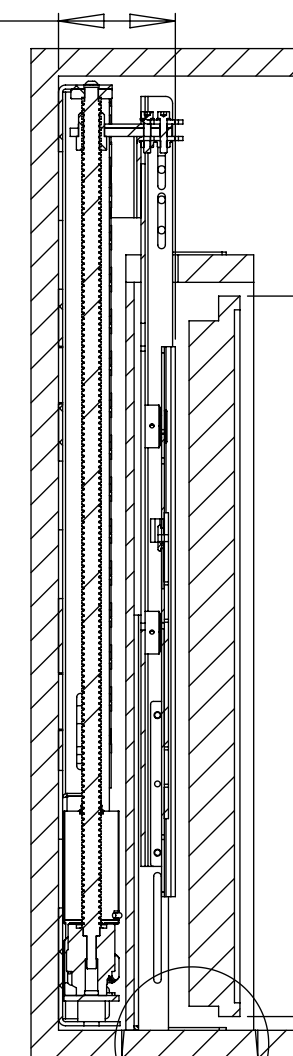
A tapered Cabinet Aperture can be used to improve the fit



[3.3]  
85  
Back of  
Mechanism  
to Mount

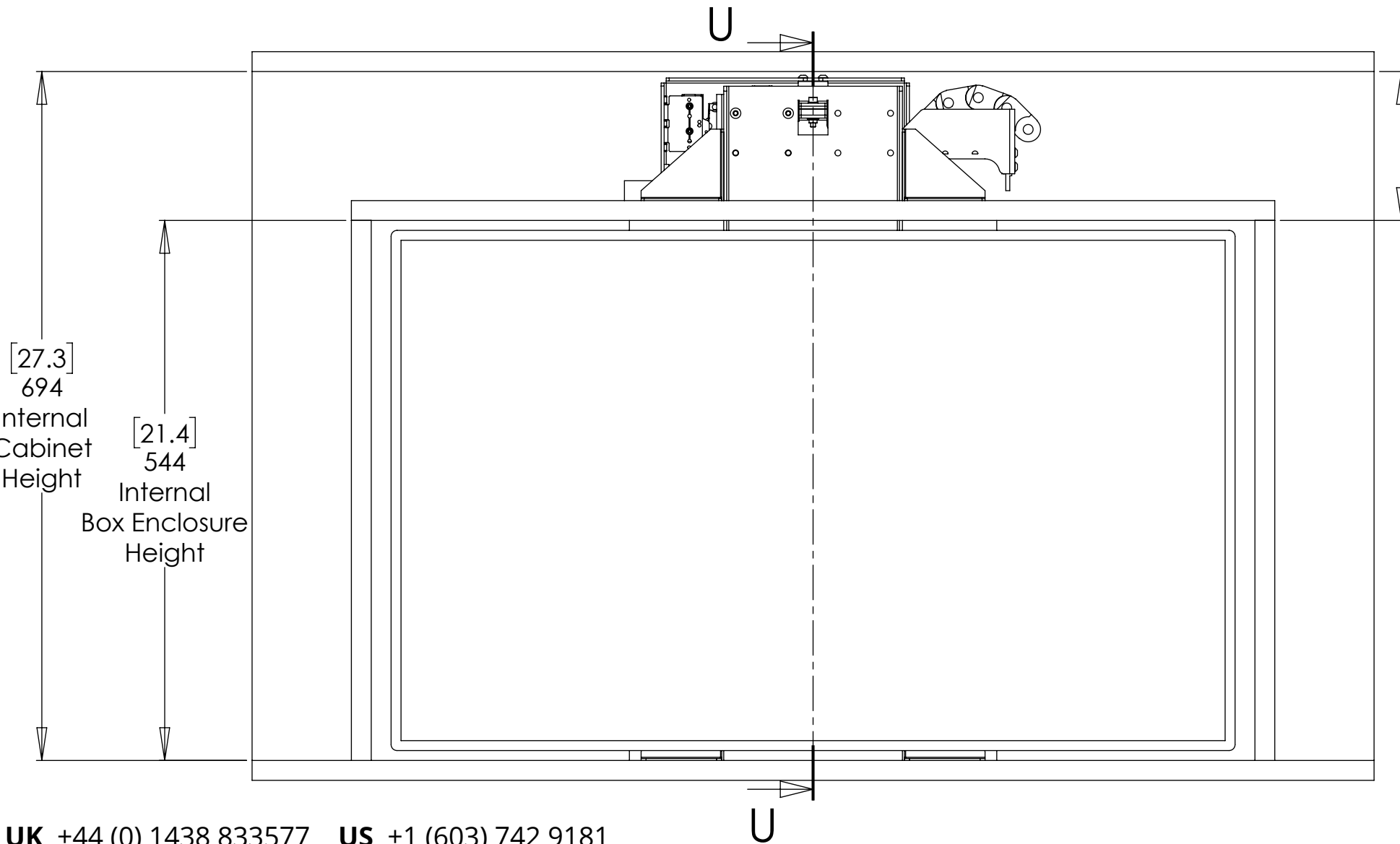
DETAIL V

[5.9]  
150  
Minimum Screen  
Height from Top  
of Cabinet



[20.6]  
524  
Max  
Screen  
Height

SECTION U-U



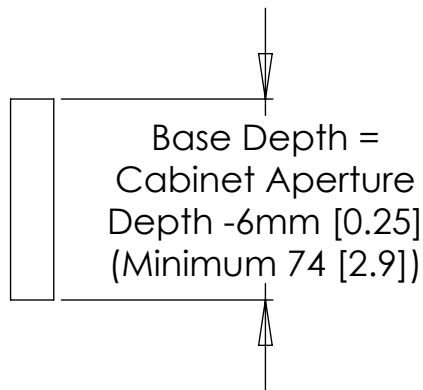
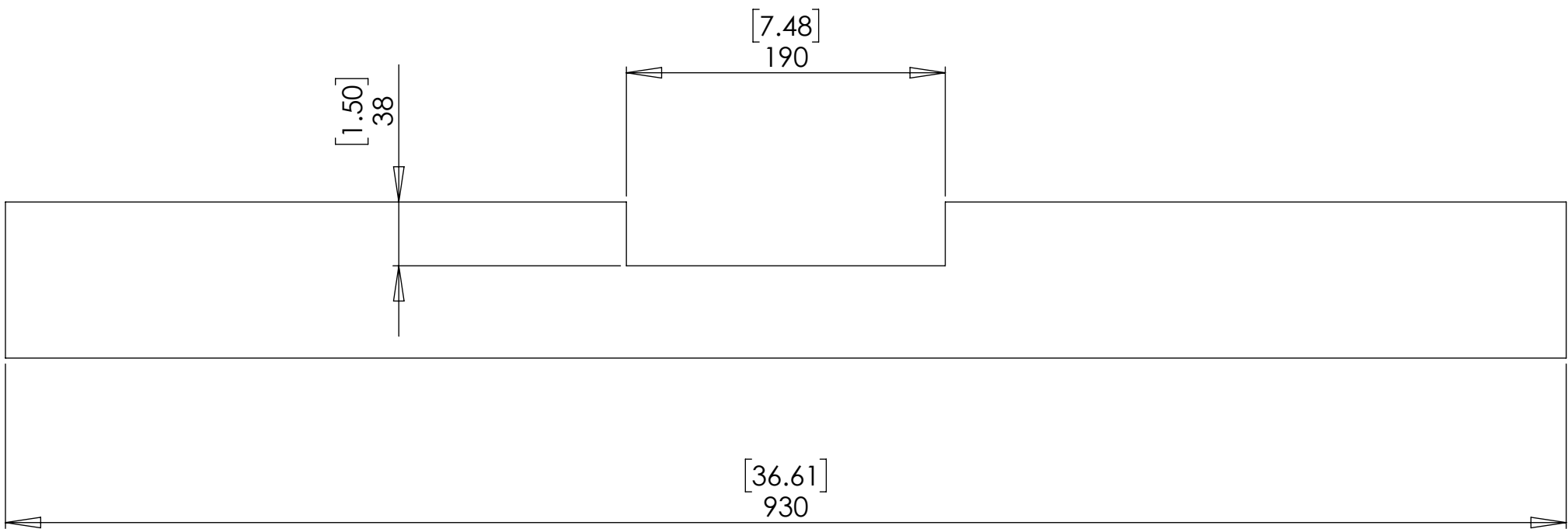
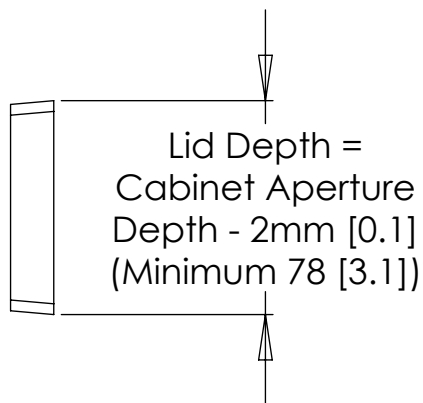
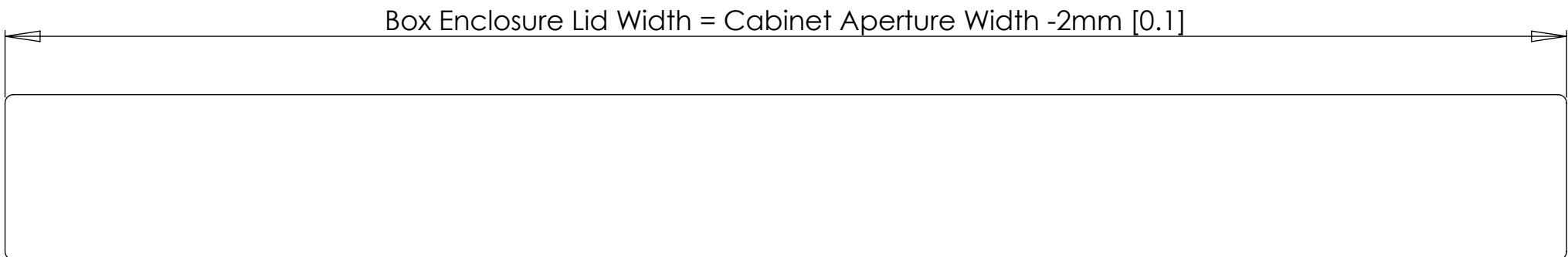
# I-LSL-BE 2

## INVERTED LIFT SYSTEM FOR BOX ENCLOSURE



### BASE PANEL & ENCLOSURE LID DETAILS

NOTE: A tapered Box Enclosure Lid creates a good fit in the Cabinet Aperture and helps the Box Enclosure to locate within the Cabinet.



# I-LSL-BE 2

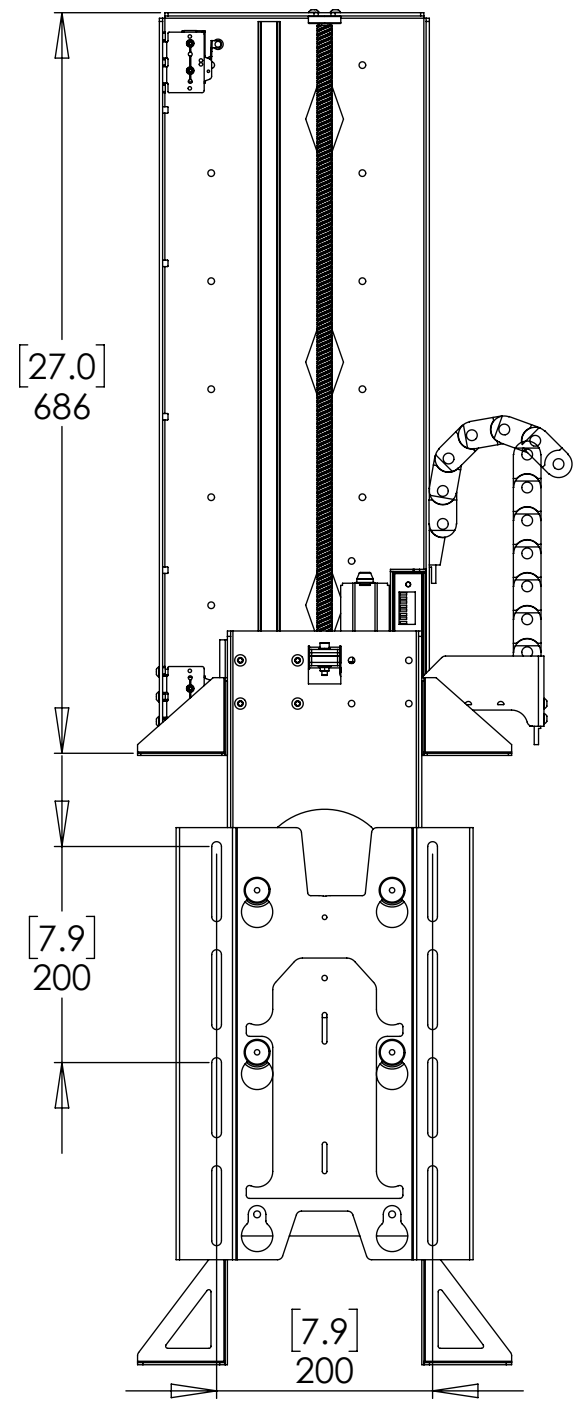
## INVERTED LIFT SYSTEM FOR BOX ENCLOSURE



future automation

### OVERALL MECHANISM DIMENSIONS

#### MECHANISM DOWN



#### MECHANISM UP

